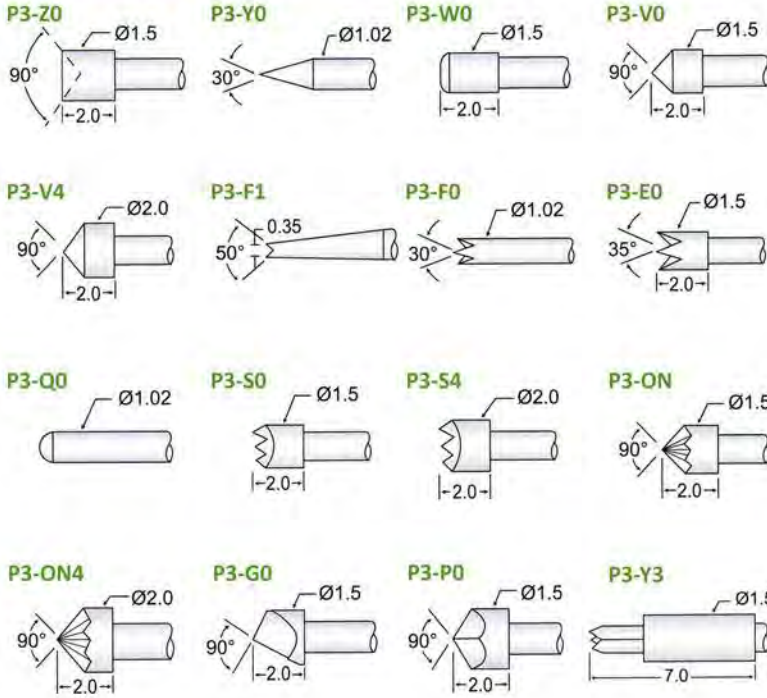
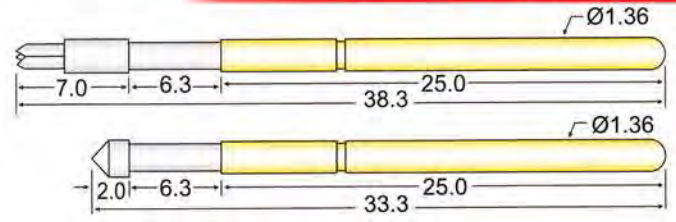


## PLUNGER



## P3-SERIES



Unit:mm

### MATERIAL

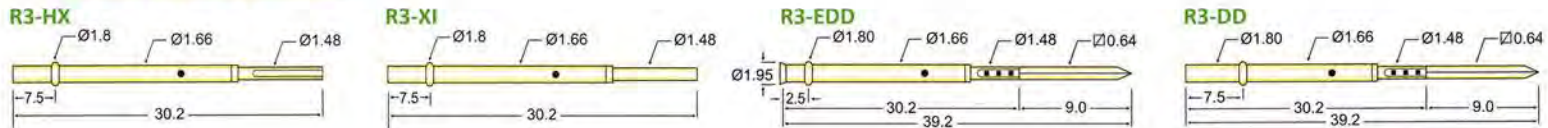
**Plunger** : Full-hard Beryllium Copper, gold-plated over nickel  
**Barrel** : Brass, gold-plated  
**Spring** : Stainless steel  
**Receptacle** : Brass, gold-plated

### TECHNICAL SPECIFICATION

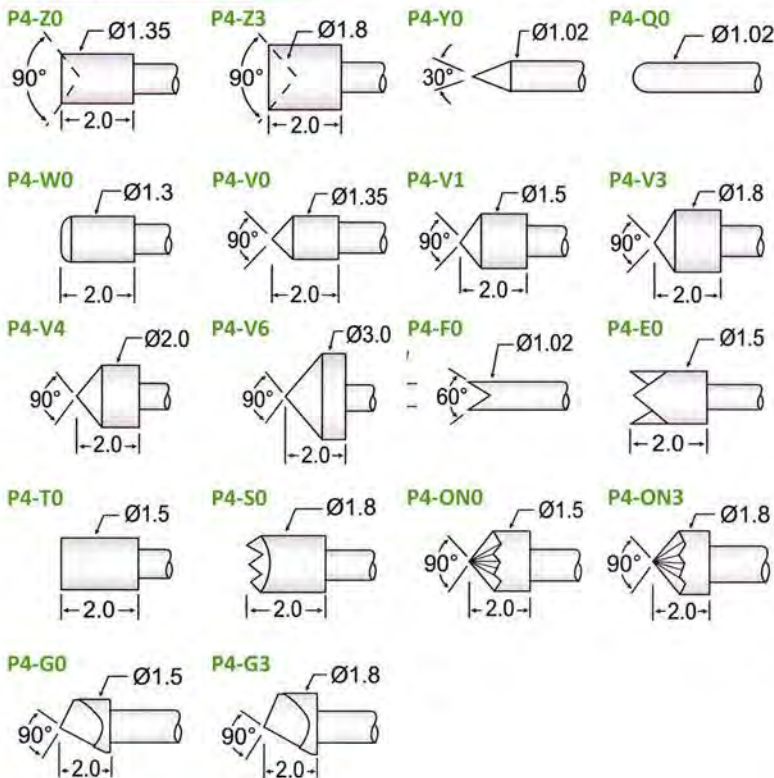
**Recommend min. Center** : 2.54mm (100mil)  
**Full Travel** : 6.30mm  
**Spring Pressure ( $\pm 20\%$ )** : 150g / 250g  
**Current Rating** : 3A, continuous  
**Contact Resistance** : 50m $\Omega$   
**Mounting Hole Size** :  $\varnothing 1.75$ mm

\* Specification subjects to change without notice

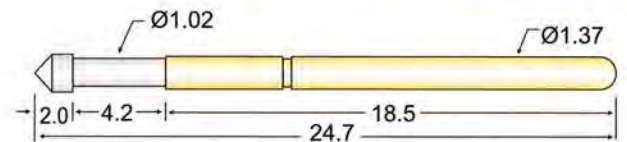
## RECEPTACLE



## PLUNGER



## P4-SERIES



Unit:mm

### MATERIAL

**Plunger** : Full-hard Beryllium Copper, gold-plated over nickel  
**Barrel** : Brass, gold-plated  
**Spring** : Stainless steel  
**Receptacle** : Brass, gold-plated

### TECHNICAL SPECIFICATION

**Recommend min. Center** : 2.54mm (100mil)  
**Full Travel** : 4.20mm  
**Spring Pressure ( $\pm 20\%$ )** : 110g / 200g / 250g  
**Current Rating** : 3A, continuous  
**Contact Resistance** : 50m $\Omega$   
**Mounting Hole Size** :  $\varnothing 1.75$ mm

\* Specification subjects to change without notice

## RECEPTACLE

